

STREACOM™
NCI
USER GUIDE

Foreword

Thank you for your purchase of this Streamcom product, every care has been taken to ensure that it meets with the high standards that we have set for ourselves.

Should you have any questions that are not covered in this user guide, support can be offered via email through our website at www.streamcom.com

We sincerely hope that you enjoy using our product!



NC1 Overview

1..... Top Panel/ Cooler

2..... Integrated Power Button

3..... Back Panel

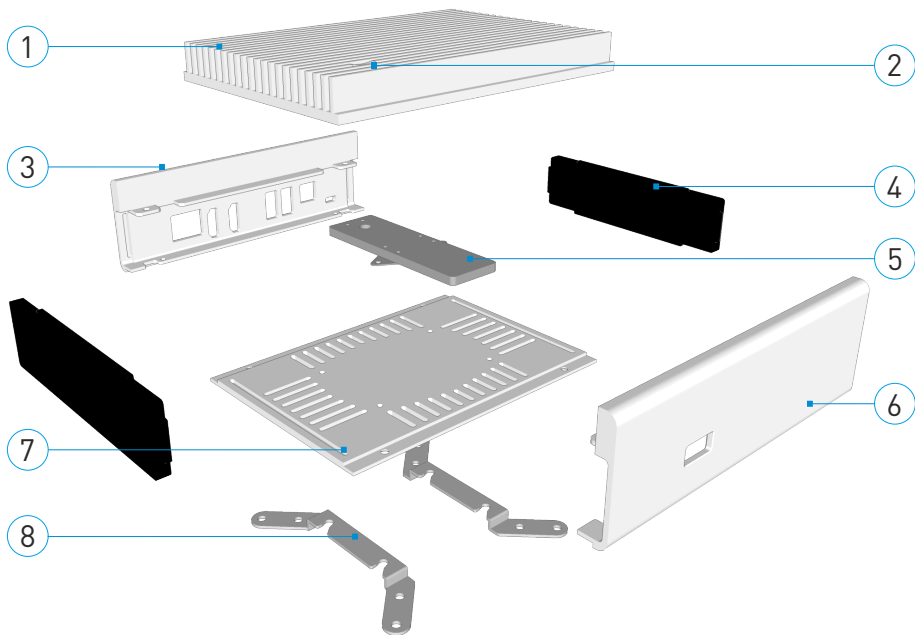
4..... Acrylic Side Panels

5..... Cooler Mount

6..... Front Panel

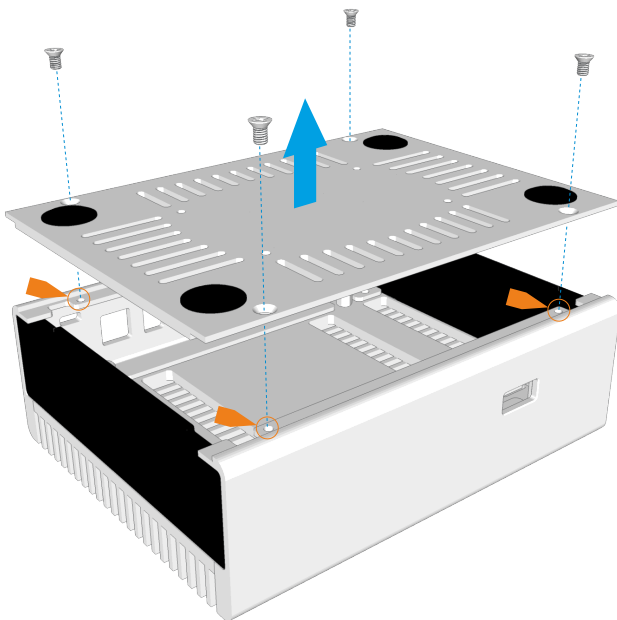
7..... Bottom Panel

8..... VESA Mounts (Optional)



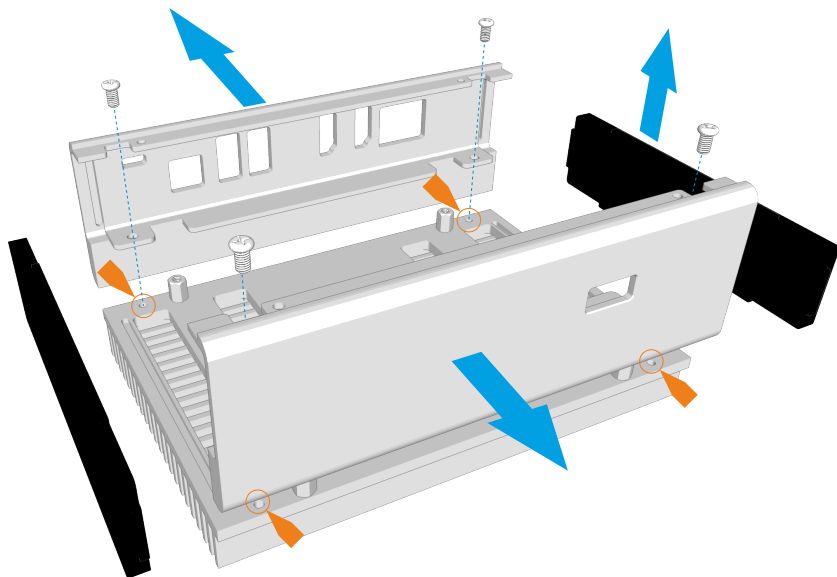
Remove the bottom panel

With the case turned upside down, remove the 4 screws securing the bottom panel in place and lift off.



Remove the front, back and side panels

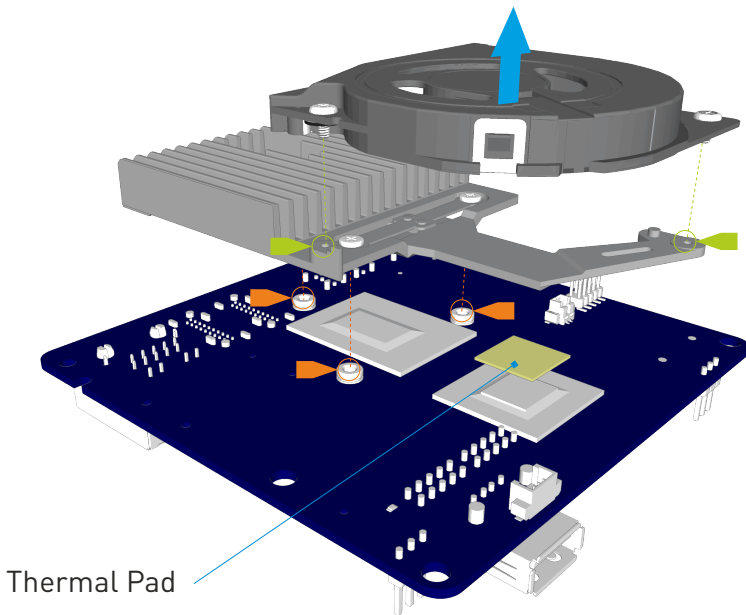
Remove the front and back panels which are secured to the top panel by 4 screws (2 each). With the front and back removed, the side panels will be free to lift up.



Prepare the NUC motherboard

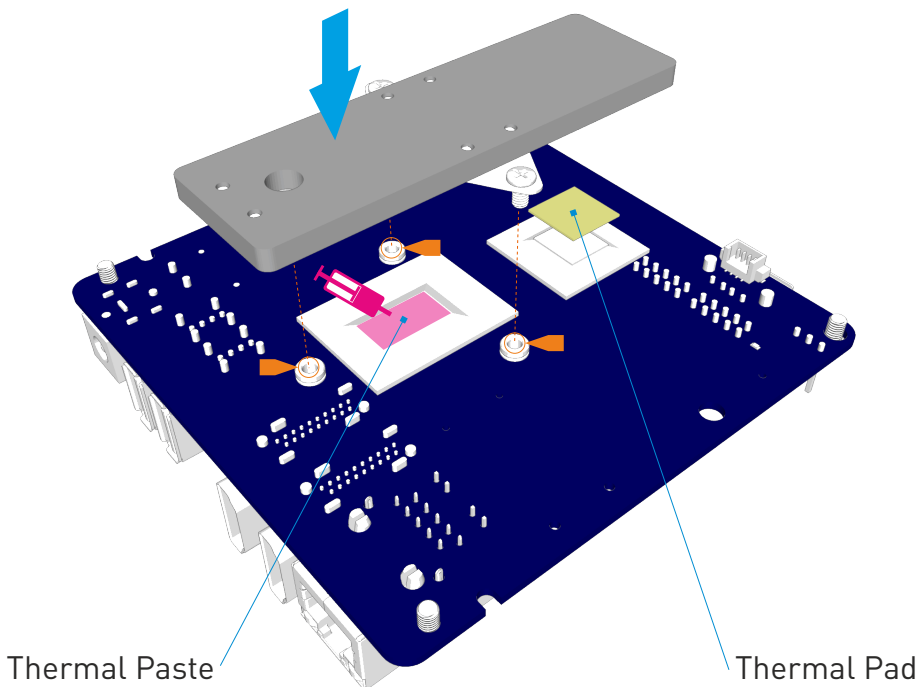
Before fitting the motherboard, remove the stock fan and cooler which is secured by 5 screws, 2 for the fan, 3 for the cooler. Clean any residual thermal paste from the CPU.

The chipset connects to the cooler assembly with a thermal pad, ensure that this remains on the chipset as it is **ESSENTIAL** for connecting to the Streamcom cooler mount.



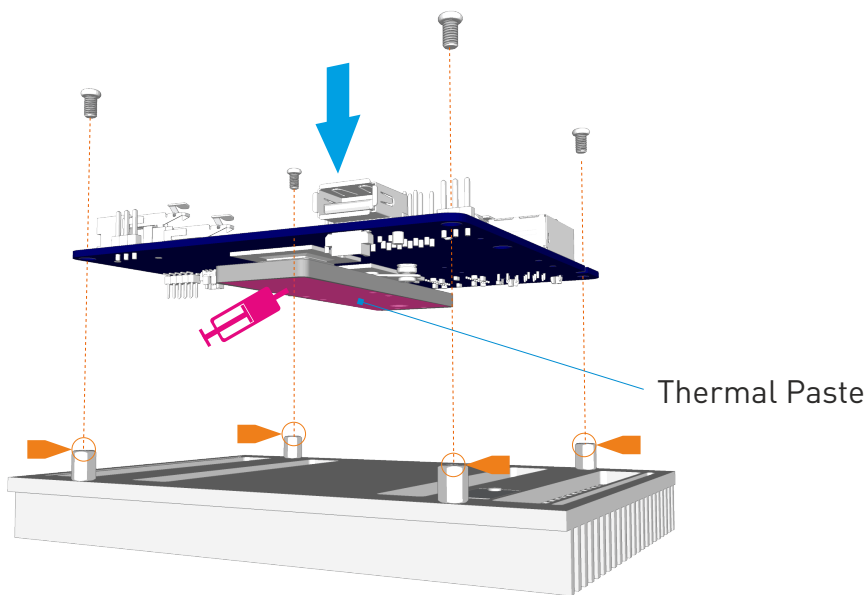
Install the CPU mount

Apply thermal paste to the CPU, ensure the thermal pad is located on the chipset IC, then secure the cooler mount to the motherboard by the 3 screws as shown. Do not over tighten the screws and ensure equal load is applied to all 3 screws (so that the cooler mount sits flat against the CPU).



Fit the motherboard to the top panel

With the cooler mount fixed to the motherboard, apply thermal paste to its upper surface, then secure the motherboard to the top panel using the 4 screws at each corner. Ensure correct orientation of the motherboard by checking that the motherboard power switch aligns with the top panel power button.

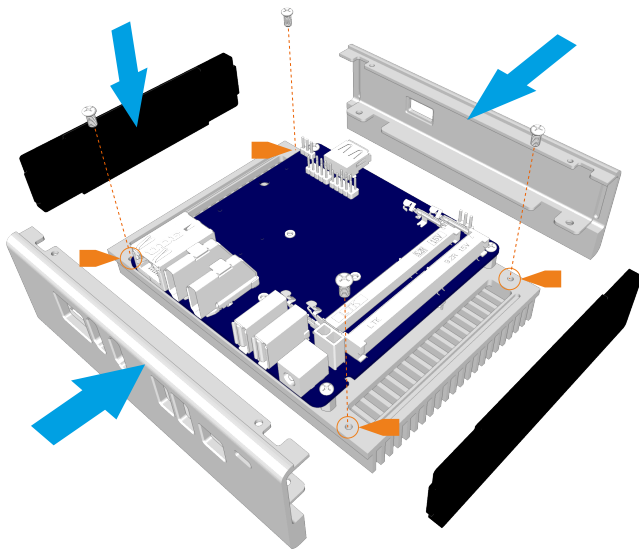


Fit the front, back and side panels

Reverse the earlier process of removing the side panels and position them in the top panel slots, then secure the front and back panels with the 4 screws.

If you are using internal WiFi, the antenna should be fixed to the acrylic side panels for optimal performance.

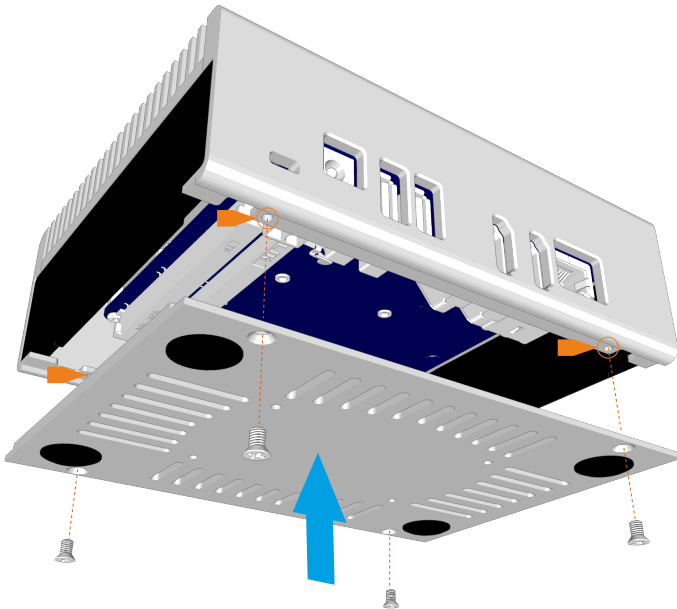
All other components such as RAM, MSATA, etc should be installed prior to fitting the bottom panel.



Fit the bottom panel to complete the build

With all components fitted, all that remains is to fit the bottom panel using the 4 screws shown.

Connect, power, video and accessories, then you are ready to go!



STREACOM™